

## CARACTERÍSTICAS TÉCNICAS

**Vedações Padrão:** AS.

**Vedações opcionais:** ASRR, ASR, R, RR, FF, ZF, GSGS, TC, GS.

**Lubrificação:** Graxa

**Obs:** São caixas tensoras para eixos em milímetros e polegadas usadas para rolamentos da série **222 K** mais bucha de fixação, possuem vedações padronizadas de labirinto (AS), se necessário podem ser confeccionadas com outros tipos de vedações e para outras séries de rolamentos, bastando para isso consultar o nosso departamento técnico.

**BP** - Bloqueado passante

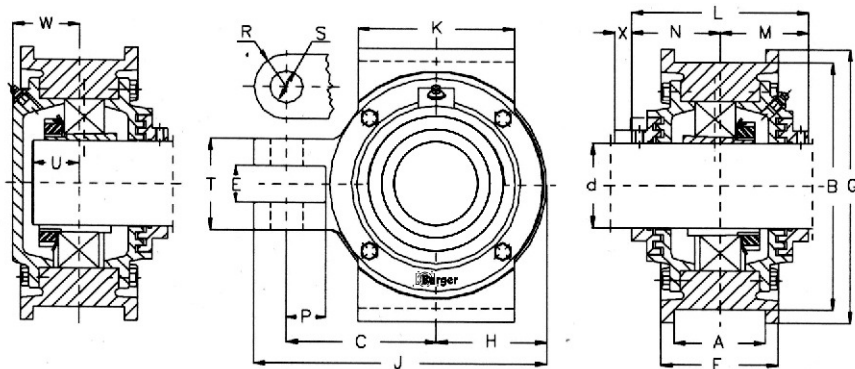
**LP** - Livre passante

**BC** - Bloqueado cego

**LC** - Livre cego

### Dimensões(mm)

Caixa	A	B	C	E	F	G	H	J	K	L	M	N	P	R	S	T	U	W	X
STM 084 STM 086 STM 08	60	130	78	24	80	150	55	153	80	97	51	46	25	20	19	60	26	36	10
STM 097 STM 097 STM 09	60	135	81	24	80	155	58	163	80	108	56	52	21	24	19	60	28	38	10
STM 100 STM 101 STM 102 STM 10	60	155	86	24	80	165	61	171	80	109	57	52	22	24	19	60	28	39	13
STM 114 STM 115 STM 11 STM 110	70	155	90	24	90	175	68	182	82	115	59	56	22	26	19	60	30	41	13
STM 122 STM 12	70	165	94	24	90	185	72	192	88	117	62	55	20	26	19	60	34	45	13
STM 133 STM 134 STM 13 STM 136	70	175	111	26	90	195	78	218	100	120	64	56	31	29	22	70	36	48	13
STM 157 STM 158 STM 15	70	190	115	28	90	210	85	225	120	128	67	61	35	25	25	70	38	50	13
STM 161 STM 162 STM 16	70	230	136	35	95	255	91	259	120	144	76	68	43	32	30	95	42	55	14
STM 175 STM 17 STM 170	70	245	145	40	95	270	100	275	150	149	79	70	45	30	30	120	44	57	14
STM 18 STM 183 STM 184	70	250	147	40	95	275	101	286	150	155	83	72	42	38	30	120	46	59	15
STM 194 STM 19	70	255	154	40	95	280	108	300	160	162	88	74	42	38	30	120	50	63	16
STM 207 STM 208 STM 20	70	275	165	40	95	300	125	325	160	170	93	77	45	35	30	120	54	67	16
STM 221 STM 22 STM 225 STM 220	80	310	170	40	110	340	135	345	200	180	99	81	45	40	35	120	58	71	16
STM 243 STM 244 STM 24	80	325	180	45	110	355	134	356	210	193	104	89	43	42	35	125	60	76	18
STM 267 STM 268 STM 26	80	340	190	45	110	370	146	380	220	211	115	96	44	44	35	125	64	79	21
STM 28 STM 285 STM 280	90	370	208	50	120	400	151	411	230	222	121	101	48	52	40	140	68	84	21
STM 303 STM 304 STM 30	90	390	230	50	120	420	161	446	240	239	127	112	55	55	40	140	74	92	21



Caixa	Diâmetro do Eixo(d)		Rolamento	Bucha de Fixação
	mm	pol.		
STM 084 STM 086 STM 08	35	1.1/4" 1.3/8"	22208K	HE 308 HS 308 H 308
STM 097 STM 098 STM 09	40	1.7/16" 1.1/2"	22209K	HA 309 HE 309 H 309
STM 100 STM 101 STM 102 STM 10	45	1.5/8" 1.11/16" 1.3/4"	22210K	HS 310 HA 310 HE 310 H 310
STM 114 STM 115 STM 11 STM 10	50	1.7/8" 1.15/16" 2"	22211K	HS 311 HA 311 H 311 HE 311
STM 122 STM 12	55	2.1/8"	22212K	HS 312 H 312
STM 133 STM 134 STM 13 STM 136	60	2.3/16" 2.1/4" 2.3/8"	22213K	HA 313 HE 313 H 313 HS 313
STM 157 STM 158 STM 15	65	2.7/16" 2.1/2"	22215K	HA 315 HE 315 H 315
STM 161 STM 162 STM 16	70	2.11/16" 2.3/4"	22216K	HA 316 HE 316 H 316
STM 175 STM 17 STM 170	75	2.15/16" 3"	22217K	HA 317 H 317 HE 317
STM 18 STM 183 STM 184	80	3.3/16" 3.1/4"	22218K	H 318 HA 318 HE 318
STM 194 STM 19	85	3.1/4"	22219K	HE 319 H 319
STM 207 STM 208 STM 20	90	3.7/16" 3.1/2"	22220K	HA 320 HE 320 H 320
STM 221 STM 22 STM 225 STM 220	100 4"	3.7/8" 3.15/16"	22222K	HS 322 H 322 HA 322 HE 322
STM 243 STM 244 STM 24	110	4.3/16" 4.1/4"	22224K	HA 3124 HE 3124 H 3124
STM 267 STM 268 STM 26	115	4.7/16" 4.1/2"	22226K	HA 3126 HE 3126 H 3126
STM 28 STM 285 STM 280	125	4.15/16" 5"	22228K	H 3128 HA 3128 HE 3128
STM 303 STM 304 STM 30	135	5.3/16" 5.1/4"	22230K	HA 3130 HE 3130 H 3130